

VERTARIB INSTALLATION SPECIFICATIONS

ERECTION NOTES:

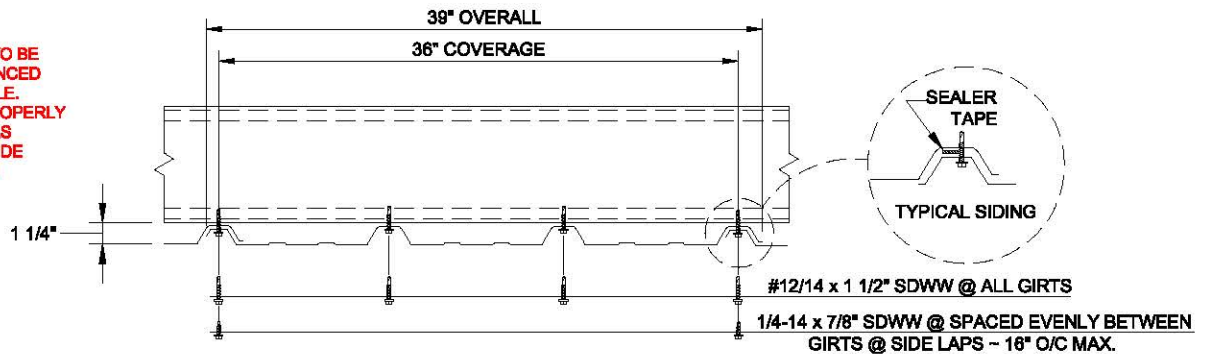
1. Vertarib panels are siding panels only and are not to be installed in a roofing application.
2. Space side lap fasteners at 16" O/C max.
3. Field install closed cell polyethylene closures factory formed to the panel profile where necessary to weather tight the panel system.
4. Square Vertarib panels with building. Align using marks @ the eaves and base, W/ marks 36" on center
5. Field cut or bevel panels @ ends of panel runs or penetrations.
6. Remove all strippable plastic as panels and flashings are being erected.
7. Remove any metal shavings from field cutting or drilling daily to prevent rust and/or discoloration of panels.
8. Skilled tradespeople should complete installation of Vertarib panels, using proper safety procedures.
9. Self driller screws are shown, A-PNT, B-PNT, Woodtites, etc. Screws can be substituted at customer's request.
10. If you are matching existing trim, provide drawings and dimensions for each.
11. 18 and 20 gauge flashings are not made w/ hems.
- *12. Customer to provide drawings and dimensions.

GENERAL NOTES:

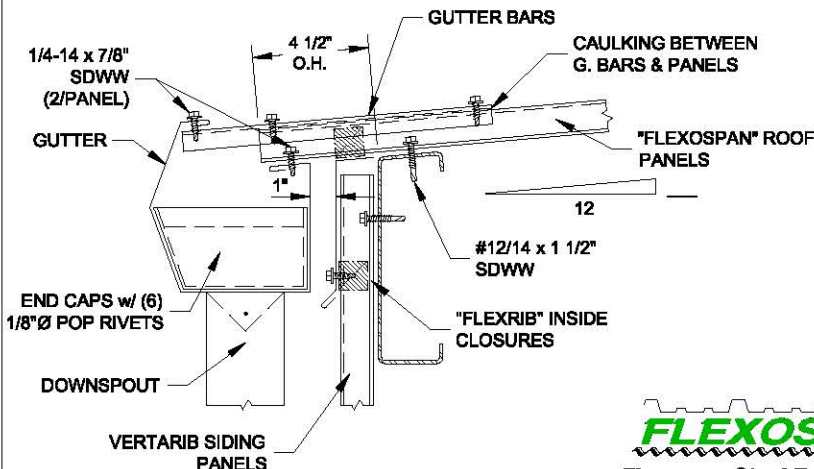
1. Cut charges apply to panels over 40'-0" lg. and to panels under 6'-0" lg.
2. Due to the individualized nature of projects, the customer is responsible for the correct panel lengths and quantities, and all accessory sizes, types and quantities.
3. When unloading panels, a spreader bar and nylon straps of the proper size, length and spacing should be used by skilled personnel to prevent buckling of the panels or bodily injury.
4. Moisture on the inside of the stacked panels can be very harmful to the panels in a short period of time. Inspect the panels immediately upon arrival for any moisture that may have formed during shipment and if any moisture is present, the panels must be unpackaged, wiped dry and restacked.
5. Inside storage is preferable, but if not possible, the panels should be stored at least one foot above ground, with one end elevated, and covered loosely to allow air to circulate.

WARNING!

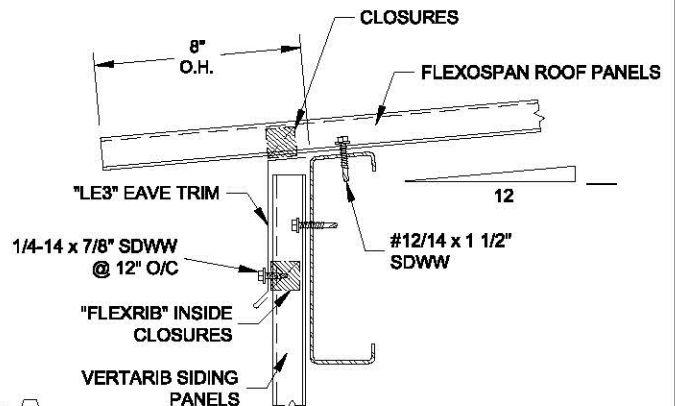
THIS PRODUCT IS INTENDED TO BE INSTALLED ONLY BY EXPERIENCED AND QUALIFIED CRAFTSPEOPLE. FAILURE OF INSTALLER TO PROPERLY PREPARE AND HANDLE PANELS COULD CAUSE INJURY. PROVIDE ADEQUATE FALL PROTECTION



WALL FASTENING DETAIL



EAVE w/ TRIM & GUTTER

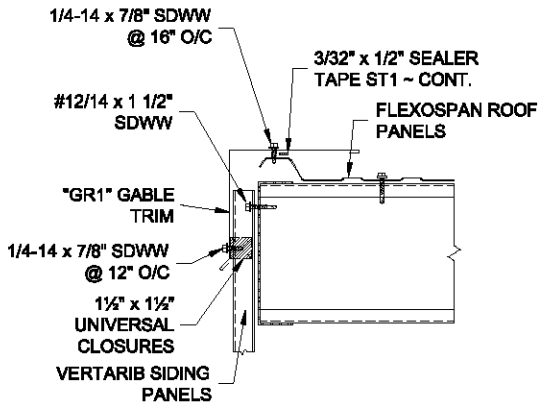


EAVE w/ TRIM

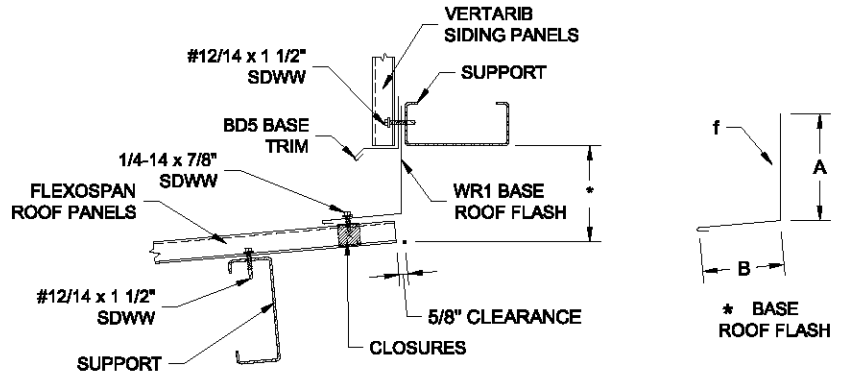


Flexospan Steel Buildings, Inc.
 253 Railroad Street, Sandy Lake, PA 16145
 Phone: (800) 245-0396 Fax: (724) 376-3864
 Copyright © 2001. All rights reserved.
 Email sales@flexospan.com
 www.flexospan.com

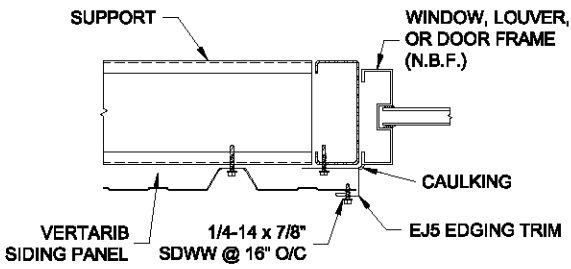
VERTARIB STANDARD DETAILS



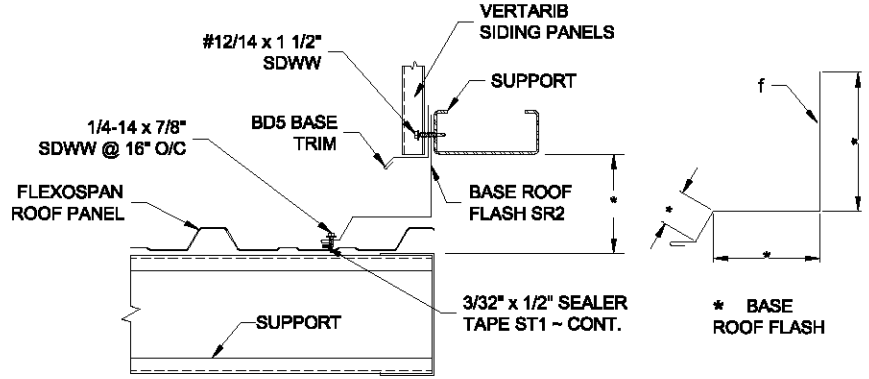
GABLE DETAIL



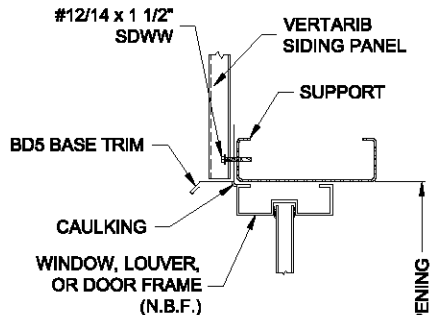
BASE ROOF (HALF RIDGE) DETAIL



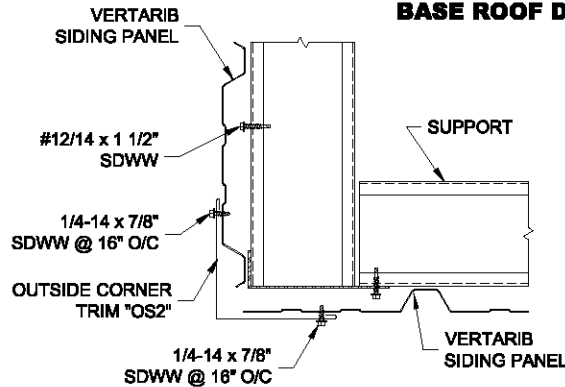
OPENING JAMB



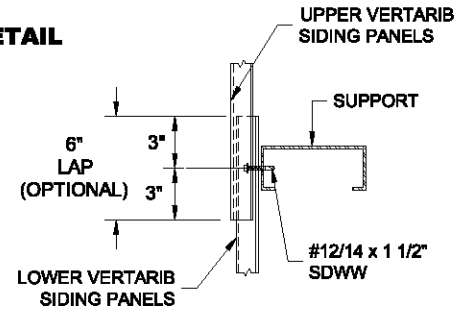
BASE ROOF DETAIL



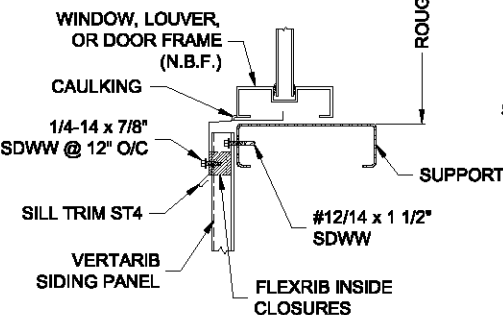
OPENING HEAD



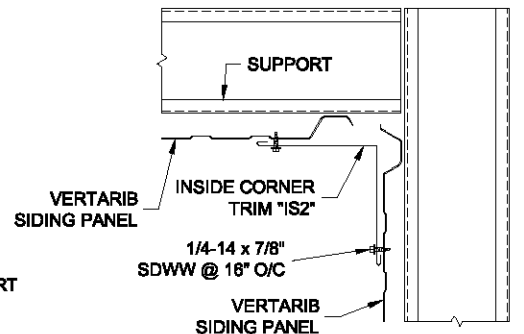
OUTSIDE CORNER DETAIL



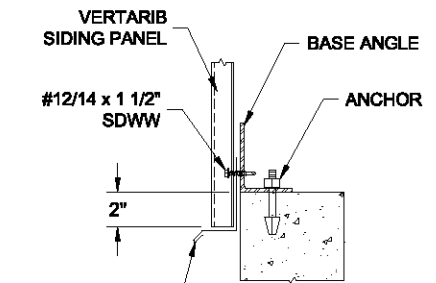
SIDING PANEL END LAP DETAIL



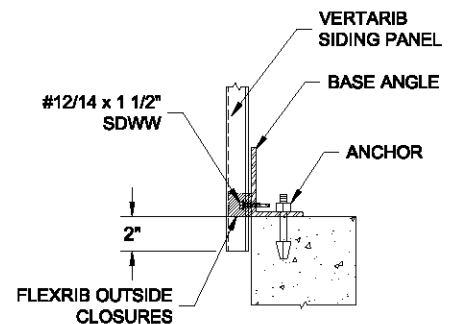
OPENING SILL



INSIDE CORNER DETAIL



CURB w/ TRIM



CURB w/ CLOSURE