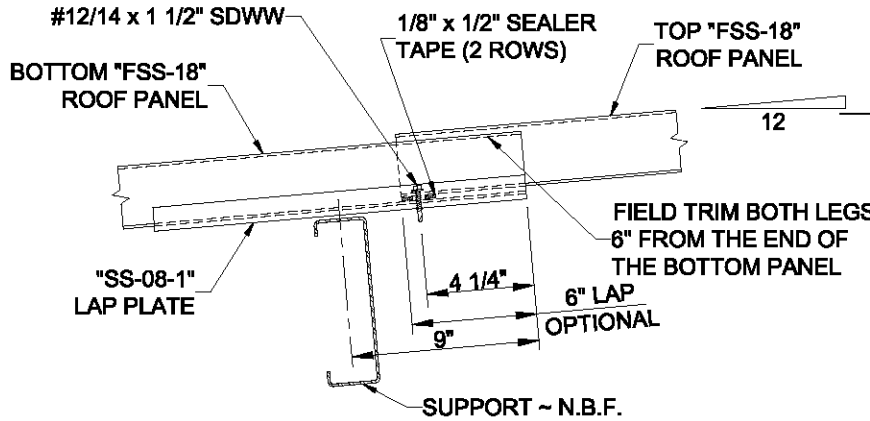
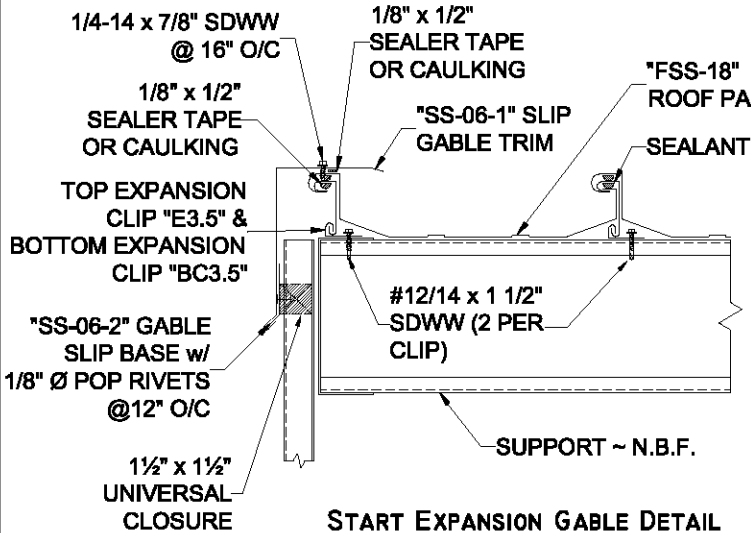


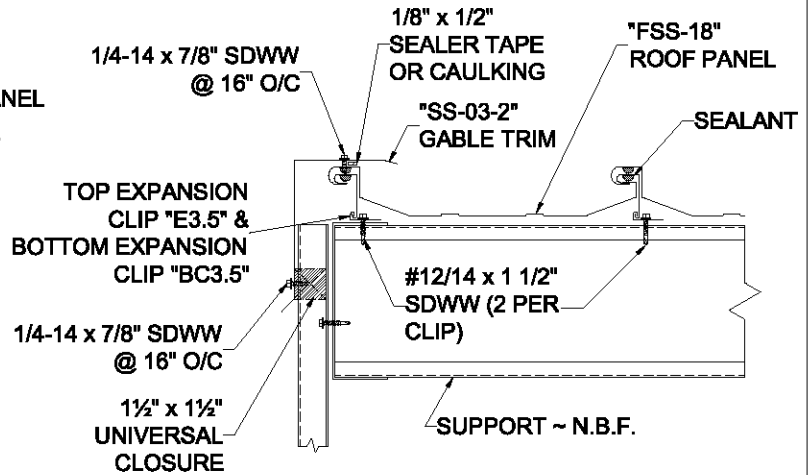
FSS-18 STANDARD DETAILS



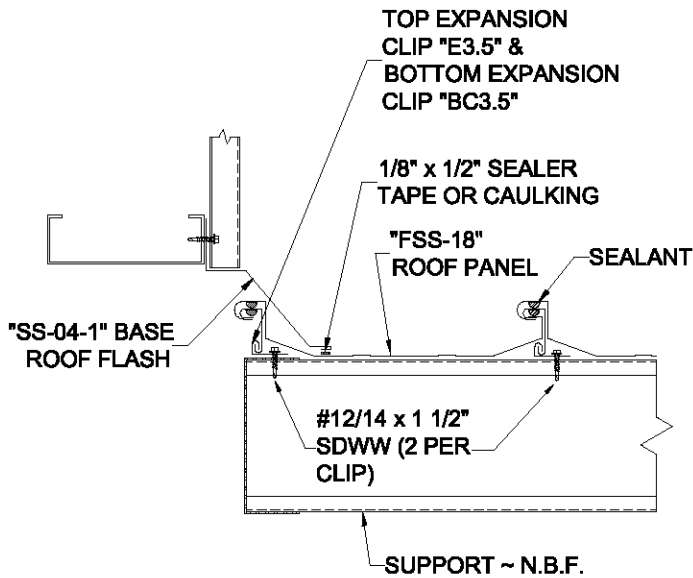
LAP DETAIL



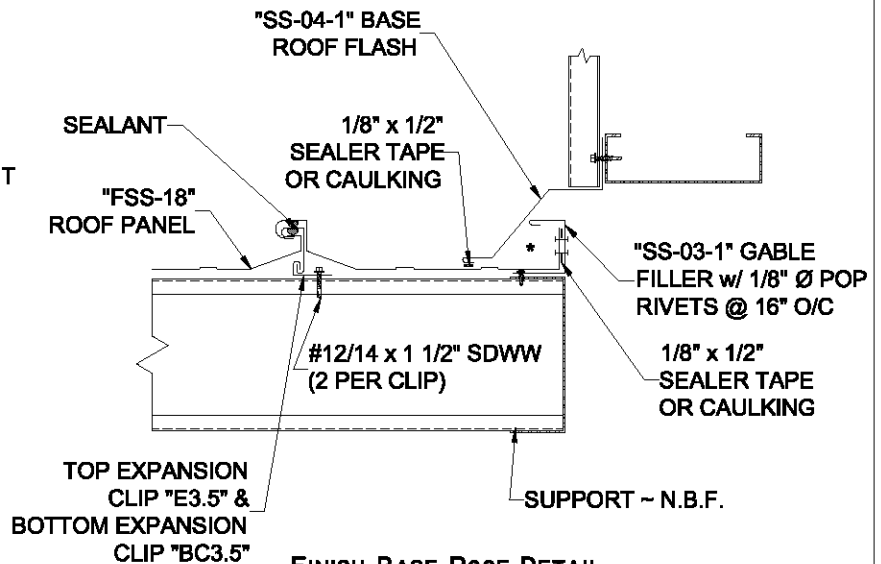
START EXPANSION GABLE DETAIL



START GABLE DETAIL



START BASE ROOF DETAIL



FINISH BASE ROOF DETAIL

FSS-18 INSTALLATION SPECIFICATIONS

ERECTION NOTES:

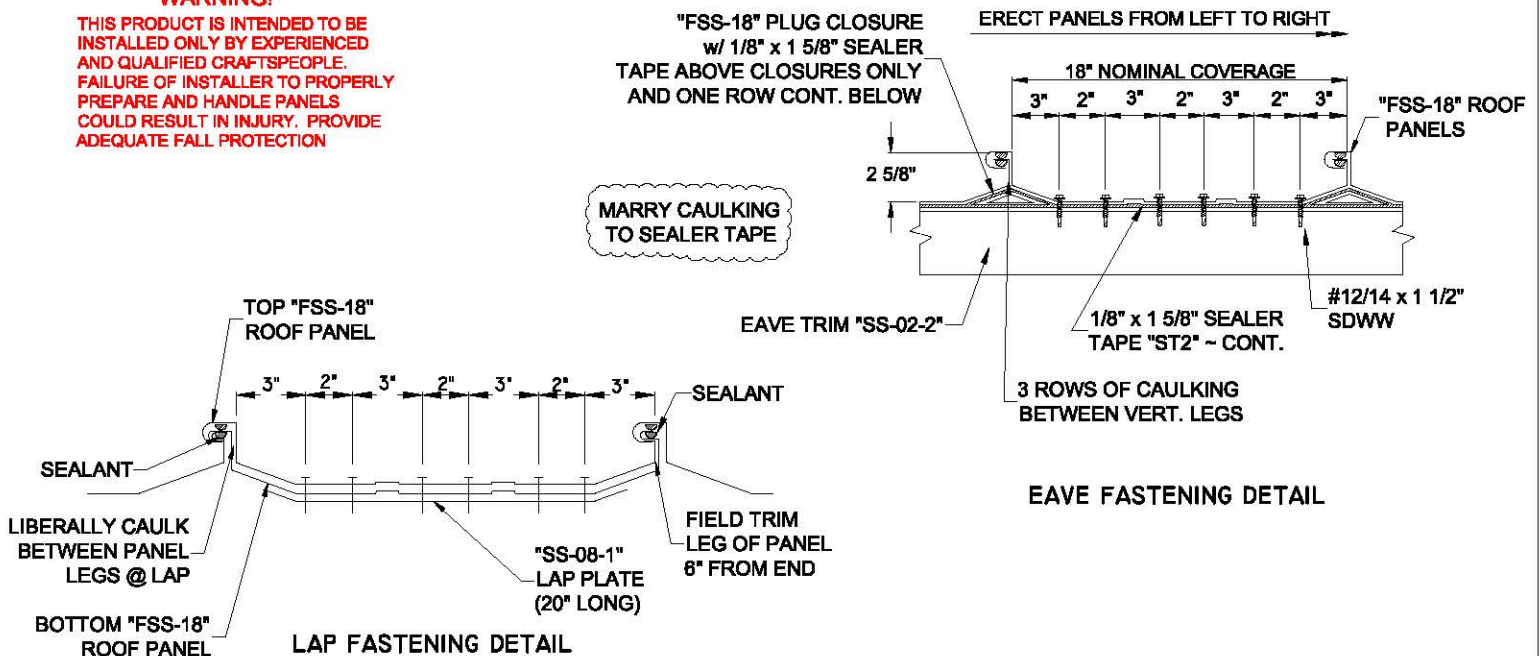
1. Inspect factory applied caulking on the female leg of FSS-18 roof panels. Field apply a 3/16" x 3/16" bead of caulking to the underside of the female leg where caulking is missing or disturbed. Field apply a 3/16" x 3/16" bead of caulking over and under female leg of fixed clips or expansion clips. A tube of caulking (11 Fluid OZ.) will yield approximately an 3/16" x 3/16" x 42 lineal feet bead (This is allowing for a 10 % waste factor).
2. Attach fixed clips to framing using (2) #12/14 x 1 1/2" H.H. SDMS.
3. Hand crimp panels @ fixed clip locations, penetrations, and 2'-0" @ eaves & ridge.
4. 1/8" x 1 5/8" sealer tape to be field applied continuously under plug closures and roof panels at the eave line. See details and sections for proper placement of sealer tape.
5. Three rows of caulking (1/8" x 1/8" Beads) to be field applied between vertical legs of roof panels @ eave line (See Details).
6. Roof panels are to be square with building & aligned using marks @ the eaves & ridge. Marks maintain 18" width of panel through out on center.
7. A string line should be used to maintain a straight eave line.
8. Vertical legs of roof panels to be held tightly together at the eave and clip locations by using clamps.
9. Closures to be field installed between gable trim and endwall panels.
10. Any cutting of panels @ openings or end of runs is to be done by the erector in the field.
11. Remove all strippable plastic as panels & flashings are being erected.
12. Any metal shavings from field cutting or drilling, must be cleaned off roof or siding daily to prevent rust and/or discoloration of panels.
13. Installation should be done by people skilled in this trade, using proper safety procedures.
14. Self driller screws are shown, A-PNT, B-PNT, Woodtites, etc. Screws can be substituted at customer's request.
15. If you are matching existing trim, provide drawings and dimensions for each.
16. Fixed clips can be substituted for expansion clips under 40" panel lengths.
- *16. Customer to provide drawings and dimensions.

GENERAL NOTES:

1. Cut charges apply to panels over 40'-0" lg. and to panels under 6'-0" lg.
2. Due to the individualized nature of projects, the customer is responsible for the correct panel lengths and quantities, and all accessory sizes, types and quantities.
3. When unloading panels, a spreader bar and nylon straps of the proper size, length and spacing should be used by skilled personnel to prevent buckling of the panels or bodily injury.
4. Moisture on the inside of the stacked panels can be very harmful to the panels in a short period of time. Inspect the panels immediately upon arrival for any moisture that may have formed during shipment and if any moisture is present, the panels must be unpackaged, wiped dry and restacked.
5. Inside storage is preferable, but if not possible, the panels should be stored at least one foot above ground, with one end elevated, and covered loosely to allow air to circulate.

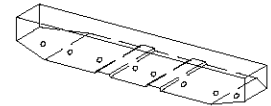
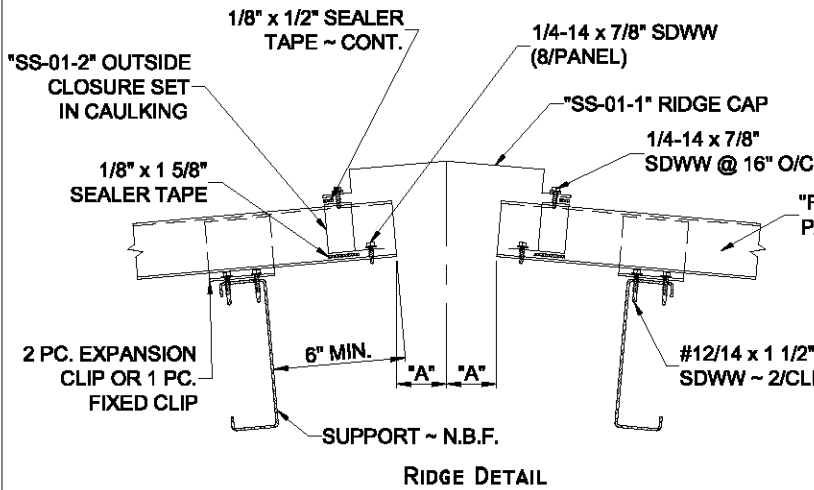
WARNING!

THIS PRODUCT IS INTENDED TO BE INSTALLED ONLY BY EXPERIENCED AND QUALIFIED CRAFTSPEOPLE. FAILURE OF INSTALLER TO PROPERLY PREPARE AND HANDLE PANELS COULD RESULT IN INJURY. PROVIDE ADEQUATE FALL PROTECTION

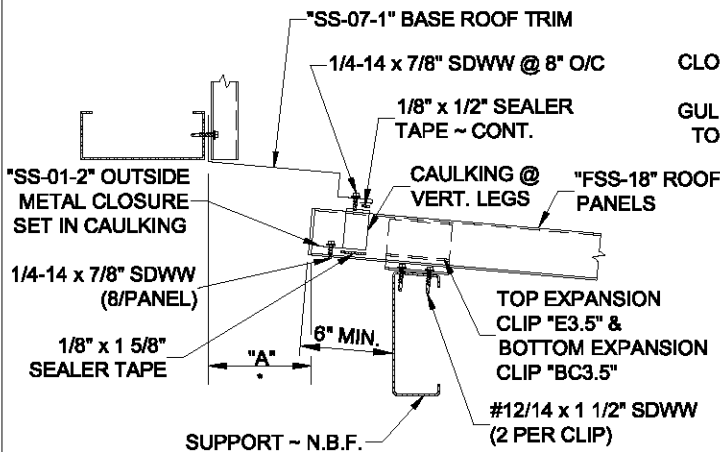
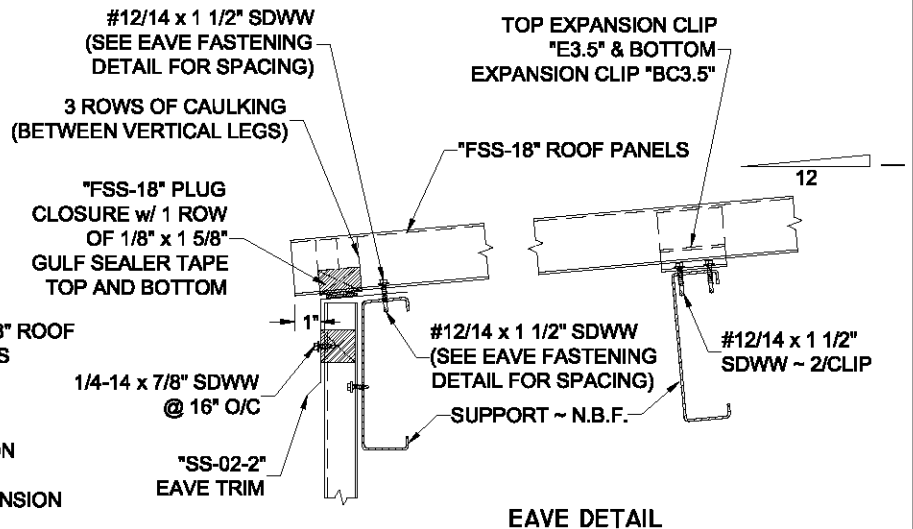
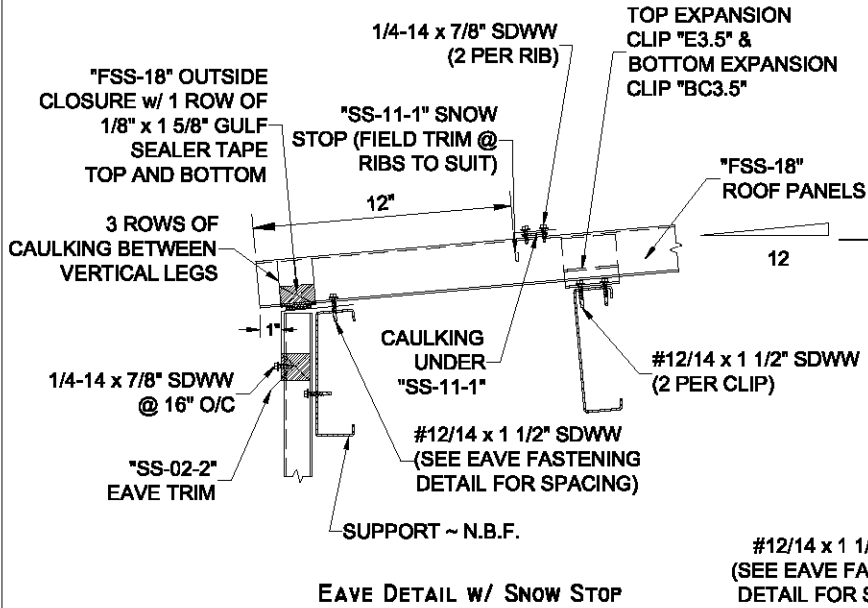
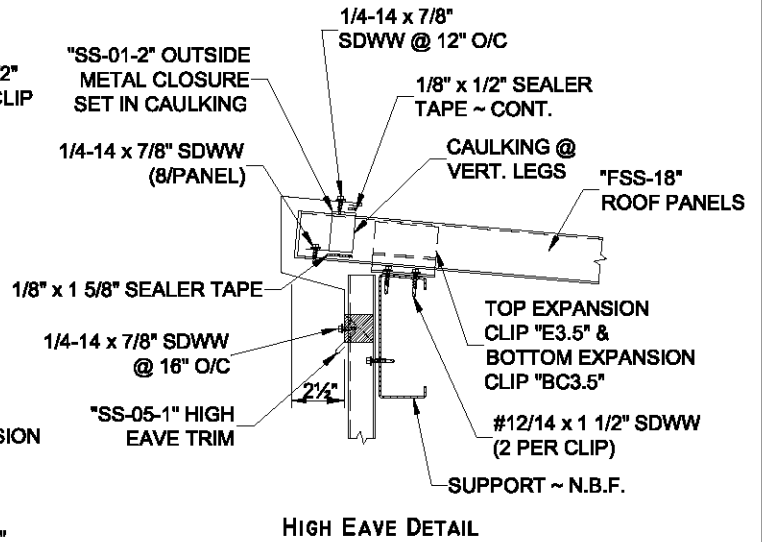


Flexospan Steel Buildings, Inc.
 253 Railroad Street, Sandy Lake, PA 16145
 Phone: (800) 245-0396 Fax: (724) 376-3864
 Copyright © 2001. All rights reserved.
 Email sales@flexospan.com
 www.flexospan.com

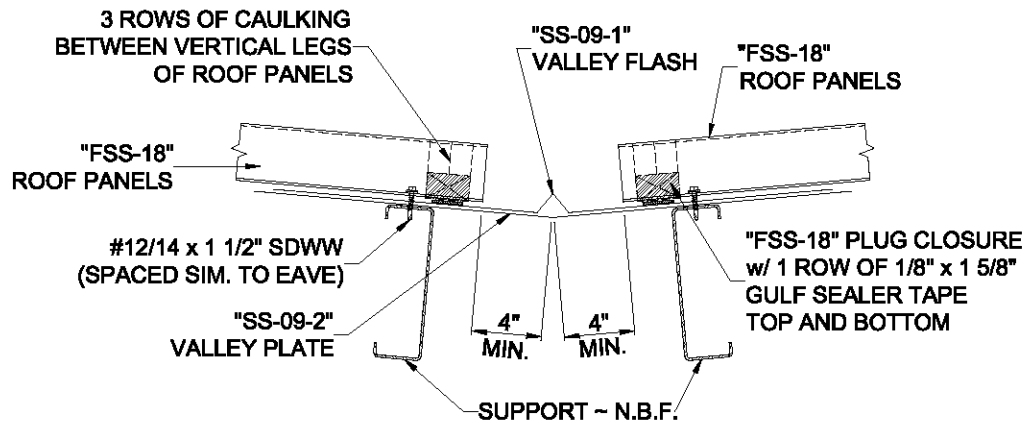
FSS-18 STANDARD DETAILS



"SS-01-2" OUTSIDE METAL CLOSURE

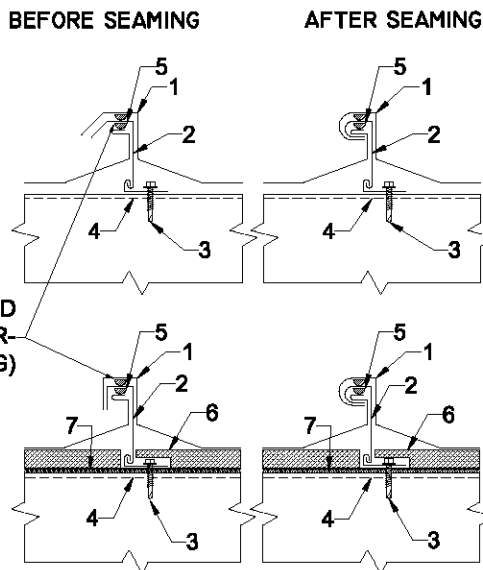


FSS-18 STANDARD DETAILS



VALLEY DETAIL

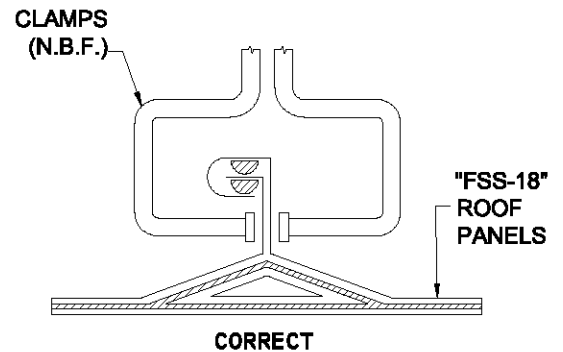
SEAMING DETAILS



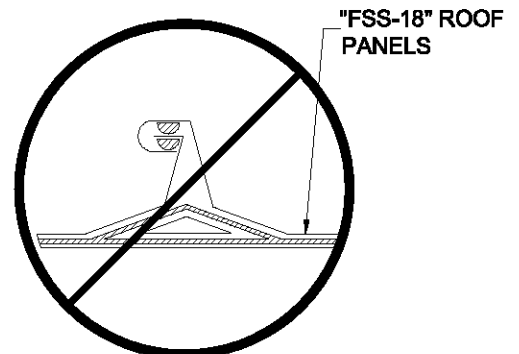
1. FLEXOPSAN "FSS-18" STANDING SEAM ROOF PANEL.
2. STANDARD 2 PC. EXPANSION CLIP OR STANDARD 1 PC. FIXED CLIP.
3. #12/14 x 1 1/2" SELF-DRILLING METAL SCREW w/ 5/8" BONDED WASHER. TWO SCREWS PER CLIP.
4. STRUCTURAL STEEL, CEE, ZEE, OR LT. GAUGE OPEN WEB JOIST.
5. NON-SKINNING, NON-DRYING SEALANT TO BE FIELD APPLIED TO INSIDE OF THE FEMALE RIB OR TO THE TOP OF THE MALE RIB AND IN EITHER CASE FIELD APPLIED OVER AND UNDER EACH CLIP.
6. INSULATION SHORTING BLOCKS ~ 1" TH. x 3" W. x 16" LG.
7. VINYL BACKED FIBERGLASS INSULATION ~ 2" MIN.

* IMPORTANT *

FAILURE TO FOLLOW DIRECTIONS GIVEN COULD RESULT IN PROBLEMS WITH ACHIEVING WEATHERTIGHTNESS & COULD CAUSE PROBLEMS WITH ATTACHMENT OF TRIM OR FLASHINGS.



ERECTOR NOTE:
VERTICAL LEGS OF PANELS MUST BE HELD TIGHT TOGETHER USING CLAMPS @ EAVE, RIDGE, AND CLIP LOCATIONS. MUST MAINTAIN 18" PANEL WIDTH KEEP STANDING LEGS VERTICAL.



INCORRECT