

FLEXRIB INSTALLATION SPECIFICATIONS

ERECTION NOTES:

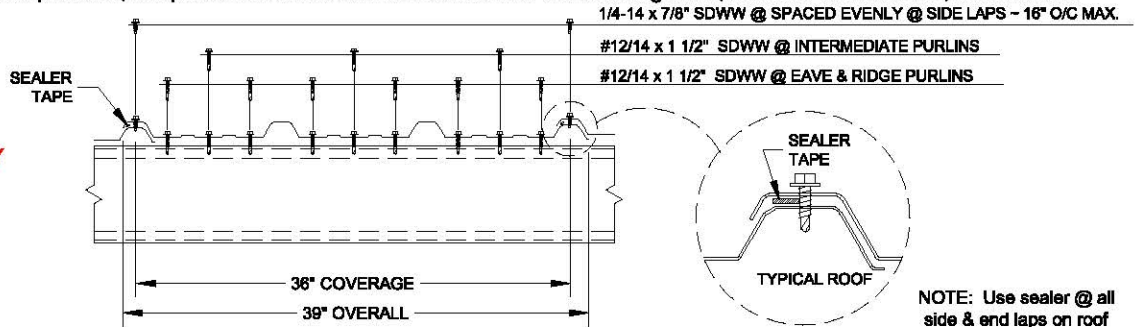
1. Flexrib panels are recommended for roof slopes 1:12 and greater.
2. Install 3/32" x 1/2" sealer tape continuously @ all side laps of roof panels on roof slopes 4:12 and less. Sealer tape is optional on side laps of roof slopes greater than 4:12. Use sealer tape at all end laps regardless of pitch.
3. Space side lap fasteners 16" O/C max.
4. Field inspect closed cell polyethylene closures factory formed to the panel profile where necessary to weathertight the panel system.
5. Square Flexrib panels with building. Align using marks @ the eaves, ridge, base and valleys, w/ marks 36" on center. Use a string line to maintain a straight eave line when installing Flexrib as a roof panel.
6. Align major ribs of Flexrib roof panels at the ridge with major ribs on the opposite side of the ridge.
7. Field cut or bevel panels @ ends of panel runs, hips, valleys, or penetrations.
8. Remove all strippable plastic as panels and flashings are being erected.
9. Remove any metal shavings from field cutting or drilling from the roofing or siding daily to prevent rust and/or panel discoloration.
10. Skilled tradespeople should complete installation of Flexrib panels, using proper safety procedures.
11. Self drillers screws are shown, A-PNT, B-PNT, Woodtites, etc. Screws can be substituted at customer's request.
12. If you are matching existing trim, provide drawings and dimensions for each.
13. Fixed clips can be substituted for expansion clips under 40" panel lengths.
14. 18 and 20 gauge flashings are not made w/ hems.
- *15. Customer to provide drawings and dimensions.

GENERAL NOTES:

1. Cut charges apply to panels over 40'-0" lg. and to panels under 6'-0" lg.
2. Due to the individualized nature of projects, the customer is responsible for the correct panel lengths and quantities, and all accessory sizes, types and quantities.
3. When unloading panels, a spreader bar and nylon straps of the proper size, length and spacing should be used by skilled personnel to prevent buckling of the panels or bodily injury.
4. Moisture on the inside of the stacked panels can be very harmful to the panels in a short period of time. Inspect the panels immediately upon arrival for any moisture that may have formed during shipment and if any moisture is present, the panels must be unpackaged, wiped dry and restacked.
5. Inside storage is preferable, but if not possible, the panels should be stored at least one foot above ground, with one end elevated, and covered loosely to allow air to circulate.

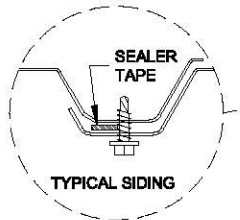
WARNING!

THIS PRODUCT IS INTENDED TO BE INSTALLED ONLY BY EXPERIENCED AND QUALIFIED CRAFTSPEOPLE. FAILURE OF INSTALLER TO PROPERLY PREPARE AND HANDLE PANELS COULD CAUSE INJURY. PROVIDE ADEQUATE FALL PROTECTION.

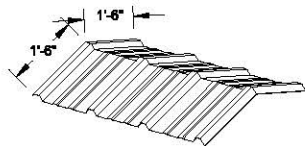


ROOF FASTENING DETAIL

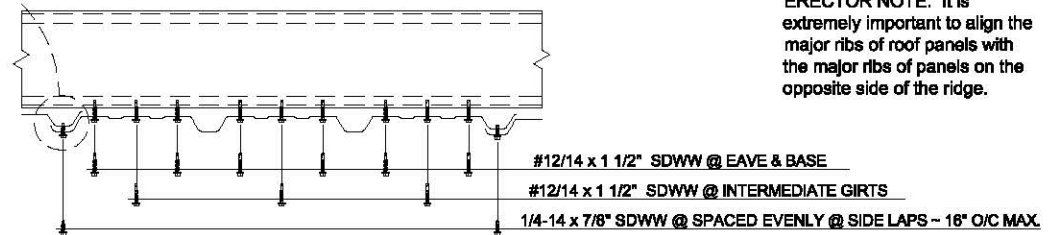
NOTE: Use sealer @ all side & end laps on roof pitches 4:12 and less.



TYPICAL SIDING

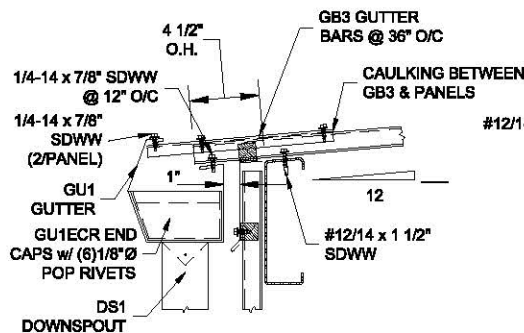


RC2 FORMED RIDGE CAP

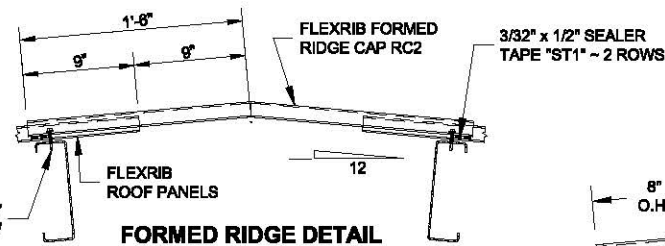


WALL FASTENING DETAIL

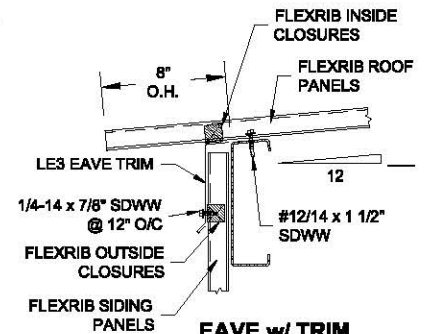
ERECTOR NOTE: It is extremely important to align the major ribs of roof panels with the major ribs of panels on the opposite side of the ridge.



EAVE w/ TRIM & GUTTER



FORMED RIDGE DETAIL

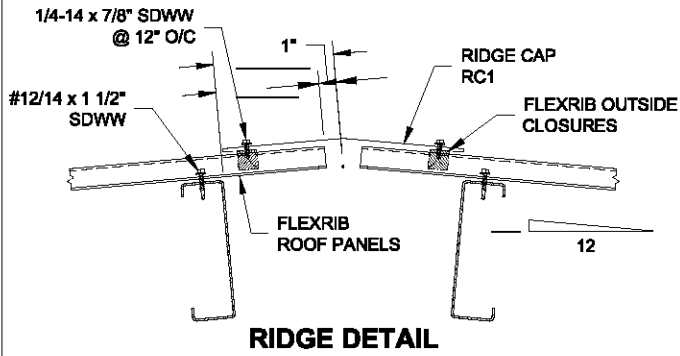


EAVE w/ TRIM

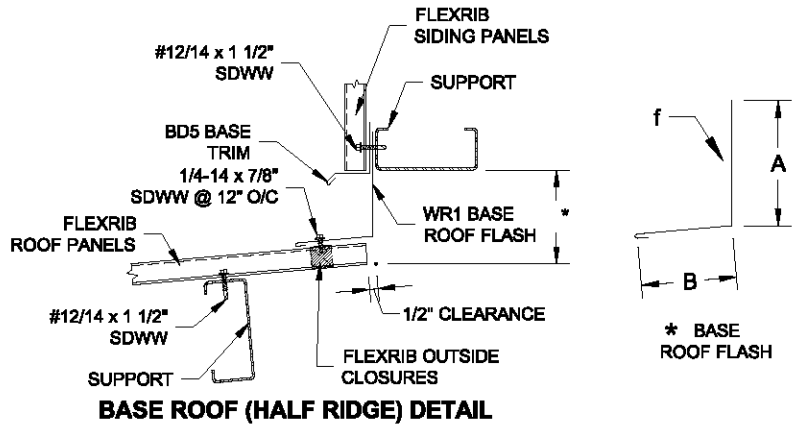
FLEXOSPAN

Flexospan Steel Buildings, Inc.
 253 Railroad Street, Sandy Lake, PA 16145
 Phone: (800) 245-0396 Fax: (724) 376-3864
 Copyright © 2001. All rights reserved.
 Email sales@flexospan.com
 www.flexospan.com

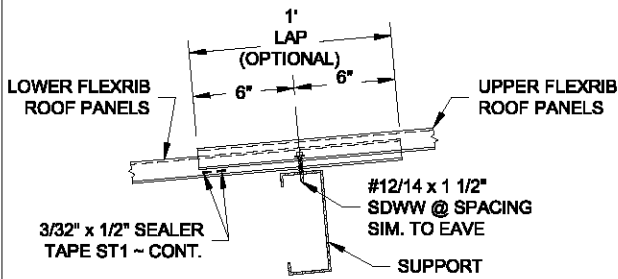
FLEXRIB STANDARD DETAILS



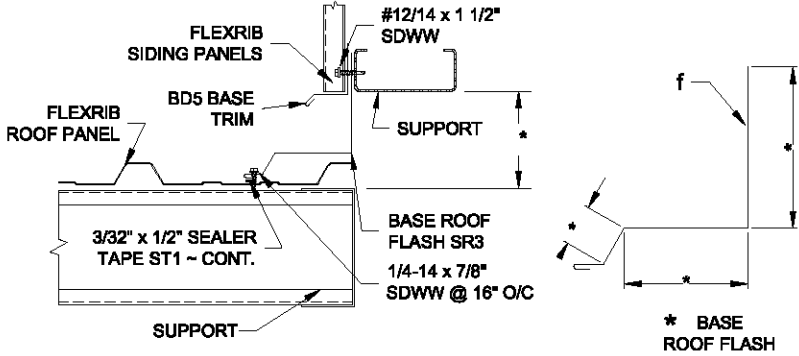
RIDGE DETAIL



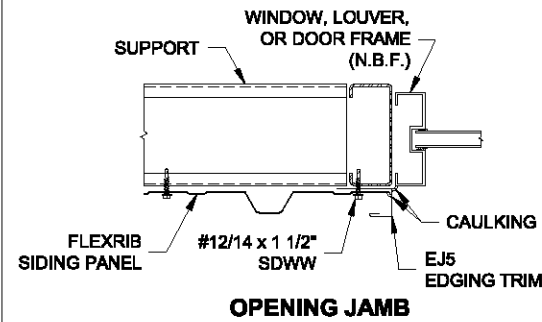
BASE ROOF (HALF RIDGE) DETAIL



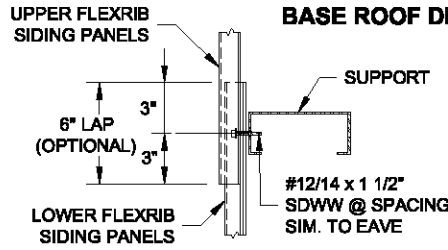
ROOF PANEL END LAP DETAIL



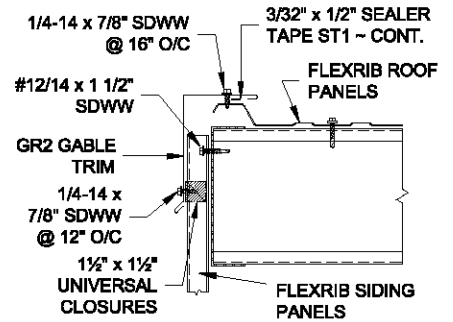
BASE ROOF DETAIL



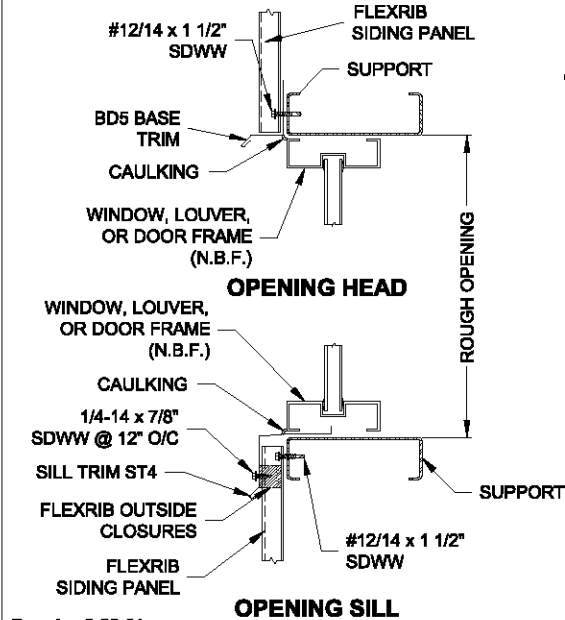
OPENING JAMB



SIDING PANEL END LAP DETAIL

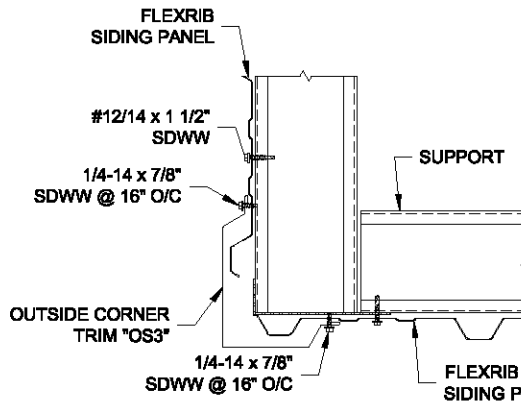


START GABLE DETAIL

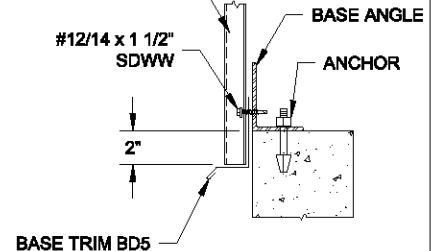


OPENING HEAD

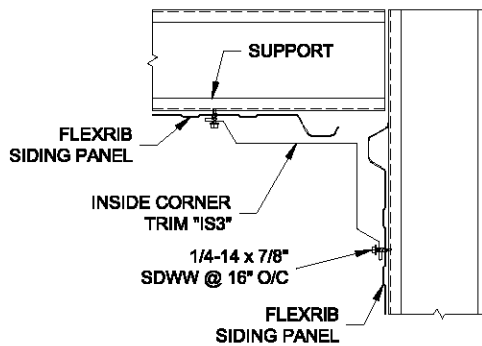
OPENING SILL



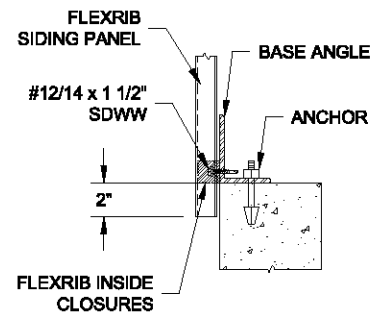
OUTSIDE CORNER DETAIL



CURB w/ TRIM



INSIDE CORNER DETAIL



CURB w/ CLOSURE