

# FLEXBEAM INSTALLATION SPECIFICATIONS

## ERECTION NOTES:

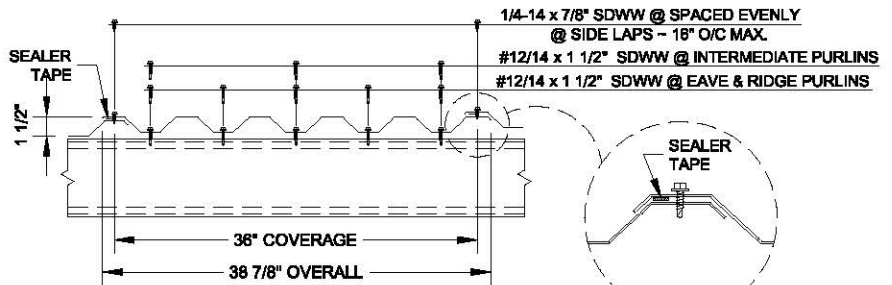
1. Flexbeam panels are recommended for roof slopes 1:12 and greater.
2. 3/32" x 1/2" sealer tape to be installed continuously @ all side laps of roof panels on roof slopes 4:12 and less. Sealer tape is optional on slopes greater than 4:12. Sealer tape to be used at end laps regardless of pitch.
3. Side lap fasteners to be spaced 16" O/C max.
4. Closed cell polyethylene closures factory formed to the panel profile to be field installed where necessary to weathertight the panel system.
5. Flexbeam panels are to be square with building & aligned using marks @ the eaves, ridge, base, & valleys. Marks to be 36" on center. A string line should be used to maintain a straight eave line when installing Flexbeam as a roof panel.
6. Ribs of Flexbeam roof panels at ridge to align with ribs on opposite side of the ridge.
7. Any cutting or beveling of panels @ ends of panel runs, hips, valleys, or penetrations to be done by the erector in the field.
8. Remove all strippable plastic as panels & flashings are being erected.
9. Any metal shavings from field cutting or drilling, must be cleaned off roof or siding daily to prevent rust and/or discoloration of panels.
10. Installation should be done by people skilled in this trade, using proper safety procedures.
11. Self driller screws are shown, A-PNT, B-PNT, Woodtites, etc. Screws can be substituted at customer's request.
12. If you are matching existing trim, provide drawings and dimensions for each.
13. 18 and 20 gauge flashings are not made w/ hems.
- \* 14. Customer to provide drawings and dimensions.

## GENERAL NOTES:

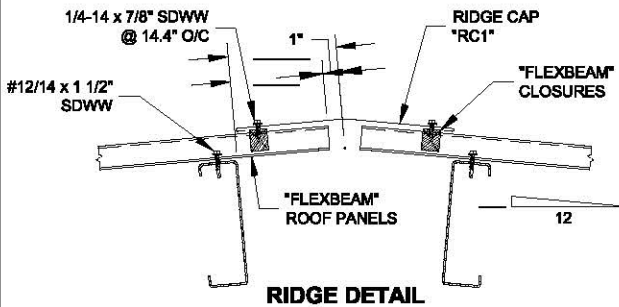
1. Cut charges apply to panels over 40'-0" lg. and to panels under 6'-0" lg.
2. Due to the individualized nature of projects, the customer is responsible for the correct panel lengths and quantities, and all accessory sizes, types and quantities.
3. When unloading panels, a spreader bar and nylon straps of the proper size, length and spacing should be used by skilled personnel to prevent buckling of the panels or bodily injury.
4. Moisture on the inside of the stacked panels can be very harmful to the panels in a short period of time. Inspect the panels immediately upon arrival for any moisture that may have formed during shipment and if any moisture is present, the panels must be unpackaged, wiped dry and restacked.
5. Inside storage is preferable, but if not possible, the panels should be stored at least one foot above ground, with one end elevated, and covered loosely to allow air to circulate.

### WARNING!

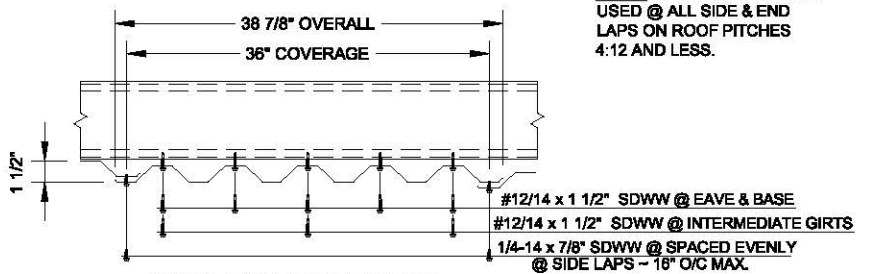
THIS PRODUCT IS INTENDED TO BE INSTALLED ONLY BY EXPERIENCED AND QUALIFIED CRAFTSPEOPLE. FAILURE OF INSTALLER TO PROPERLY PREPARE AND HANDLE PANELS COULD RESULT IN INJURY. PROVIDE ADEQUATE FALL PROTECTION



ROOF FASTENING DETAIL

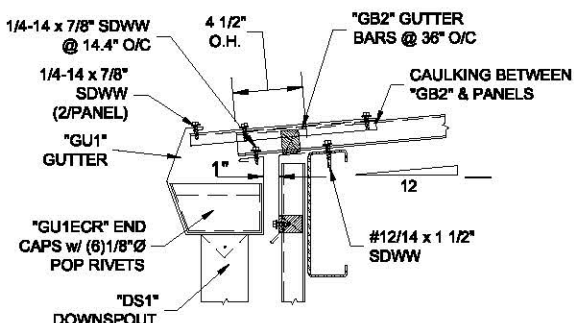


RIDGE DETAIL

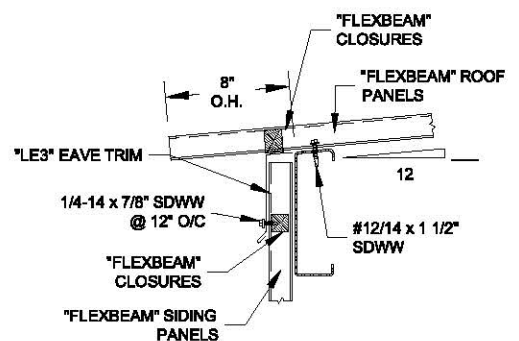


WALL FASTENING DETAIL

NOTE: SEALER TAPE TO BE USED @ ALL SIDE & END LAPS ON ROOF PITCHES 4:12 AND LESS.



EAVE w/ TRIM & GUTTER



EAVE w/ TRIM

**FLEXSPAN**

**Flexospan Steel Buildings, Inc.**  
 253 Railroad Street, Sandy Lake, PA 16145  
 Phone: (800) 245-0396 Fax: (724) 376-3864  
 Copyright © 2001. All rights reserved.  
 Email sales@flexospan.com  
 www.flexospan.com

# FLEXBEAM STANDARD DETAILS

