

FE 66 CONCEALED FASTENER PANEL INSTALLATION SPECIFICATIONS

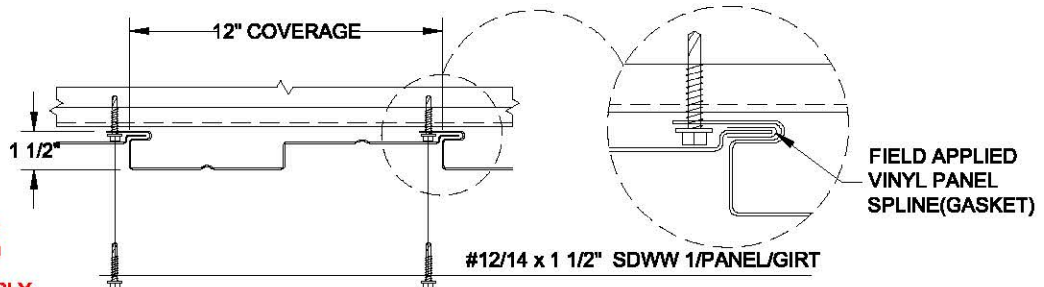
ERECTION NOTES:

1. FE 66 panels are siding panels only and are not to be used for roofing applications.
2. FE 66 panels to be supplied with vinyl panel spline (Gasket) that is to be field applied to the male leg of all panels during installation.
3. Square and align FE 66 panels with the building using marks @ the eaves & base. Marks are 12" on center.
4. Field cut or beveling panels @ ends of panel runs or penetrations.
5. Remove all strippable plastic as panels and flashings are being erected.
6. Remove any metal shavings from field cutting or drilling to prevent rust and/or discoloration of panels.
7. Skilled tradespeople should complete installation of FE 66 panels, using proper safety procedures.
8. Self driller screws are shown, A-PNT, B-PNT, Woodtites, etc. Screws can be substituted at customer's request.
9. If you are matching existing trim, provide drawings and dimensions for each.
10. 18 and 20 gauge flashings are not made w/ hems.
- *11. Customer to provide drawings and dimensions.

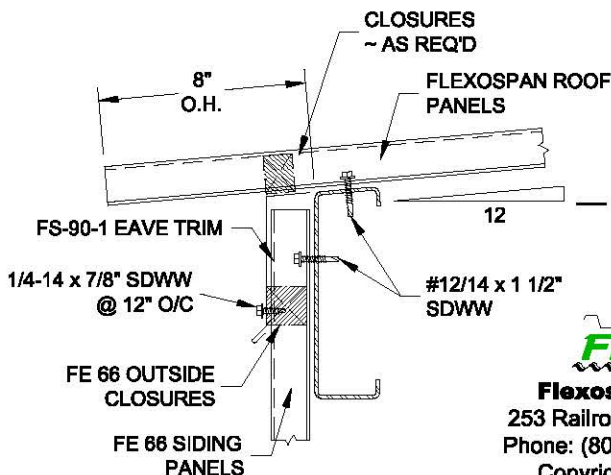
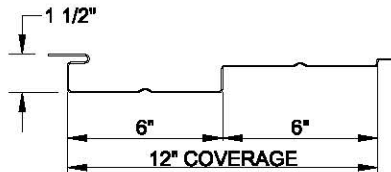
GENERAL NOTES:

1. Cut charges apply to panels over 40'-0" lg. and to panels under 6'-0" lg.
2. Due to the individualized nature of projects, the customer is responsible for the correct panel lengths and quantities, and all accessory sizes, types and quantities.
3. When unloading panels, a spreader bar and nylon straps of the proper size, length and spacing should be used by skilled personnel to prevent buckling of the panels or bodily injury.
4. Moisture on the inside of the stacked panels can be very harmful to the panels in a short period of time. Inspect the panels immediately upon arrival for any moisture that may have formed during shipment and if any moisture is present, the panels must be unpackaged, wiped dry and restacked.
5. Inside storage is preferable, but if not possible, the panels should be stored at least one foot above ground, with one end elevated, and covered loosely to allow air to circulate.

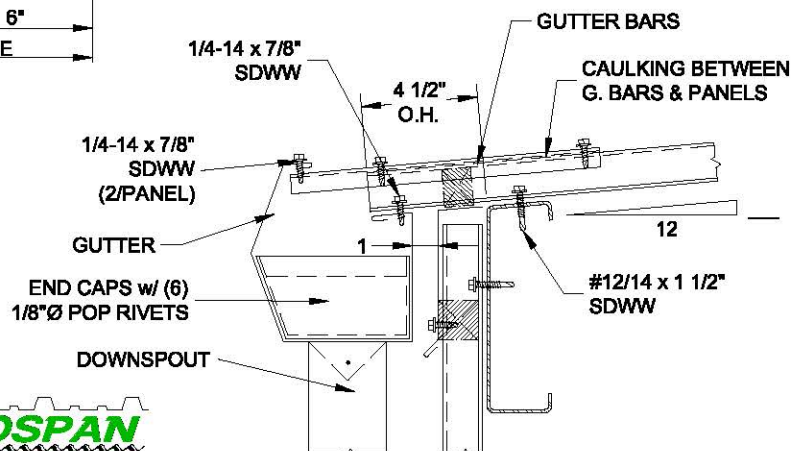
WARNING!
THIS PRODUCT IS INTENDED TO BE
INSTALLED ONLY BY EXPERIENCED
AND QUALIFIED CRAFTSPEOPLE.
FAILURE OF INSTALLER TO PROPERLY
PREPARE AND HANDLE PANELS
COULD CAUSE INJURY. PROVIDE
ADEQUATE FALL PROTECTION.



WALL FASTENING SCHEDULE



EAVE w/ TRIM



EAVE w/ TRIM & GUTTER

FLEXOSPAN

Flexospan Steel Buildings, Inc.
253 Railroad Street, Sandy Lake, PA 16145
Phone: (800) 245-0396 Fax: (724) 376-3864
Copyright © 2001. All rights reserved.
Email sales@flexospan.com
www.flexospan.com

FE 66 CONCEALED FASTENER PANEL STANDARD DETAILS

